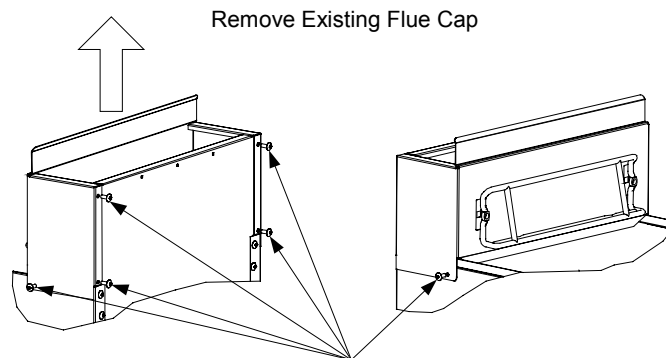


FLUE-MOUNTED BASKET HANGER KIT INSTALLATION INSTRUCTIONS

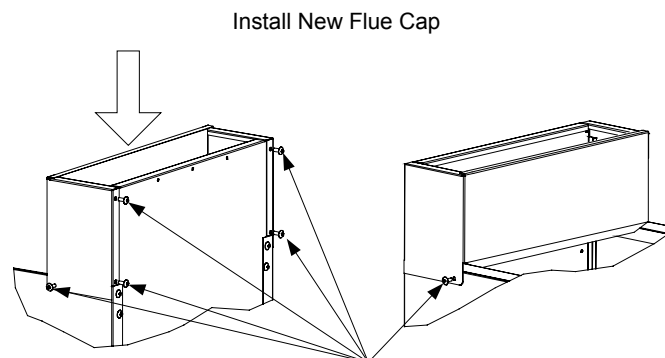
These instructions apply to kits 826-2028 (for MJ35/GF14 Fryers) and 826-2029 (for MJ45/H50 fryers)

1. Remove the existing flue cap from the fryer as shown in the illustration below. It is not necessary to remove the basket hanger to remove the flue cap.



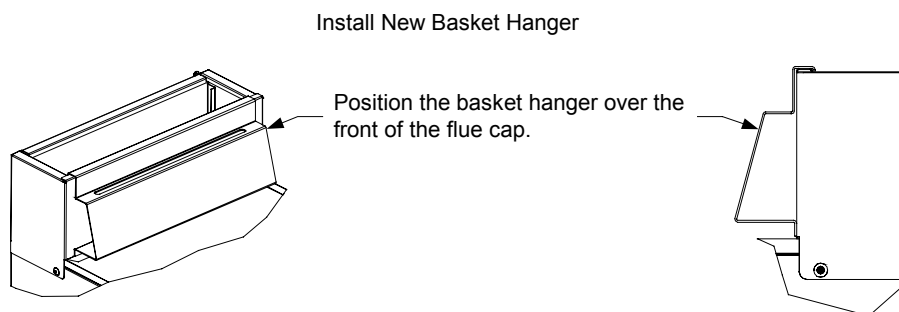
Remove the six screws (four in the back and one in each side corner) and lift the flue cap from the fryer.

2. Install the new flue cap provided in the kit as shown in the illustration below.



Lower the new flue cap onto the fryer and secure with six screws (four in the back and one in each side corner).

3. Position the basket hanger provided in the kit over the top surface of the flue cap, ensuring that the inside surface is flush with the top surface of the flue cap.



* 8196047 * JUN 2004